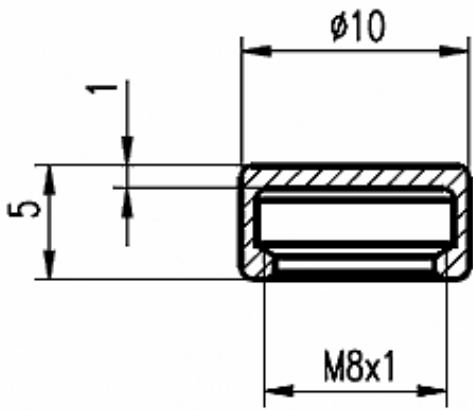


Accessories: Mounting unit BES 08-SM-1



Common Data

Version
Usable with

Cover nut
Cover nut for Sensors M8x1, flush

Mechanical Data

Measurements WxHxD or Dia x D
Material

Ø10 x 5
PTFE

Remarks

The rated switching distance of the proximity switches is reduced by 1mm when the cover nut is threaded on.

Datasheet number::

Definitions see general catalog.
If not otherwise noted, ratings according to
IEC 60947-5-2 (DIN EN60947-5-2)

Balluff GmbH
Schurwaldstrasse 9
73765 Neuhausen a.d.F.
Phone (07158) 173-0 Fax (07158) 5010

Datenblatt by CD-ROM - 04/2007

BALLUFF
sensors worldwide